

Mesabi[®] Side Members

Application Form Page 1 of 2

Customer

Address line 1

Address line 2

City

State/Prov

Country

ZIP or Postal Code

Contact

Phone

Fax

Email

Date (mm/dd/yy)

Equipment

Equipment Make

Equipment Model

Serial No.

Engine

Engine Make

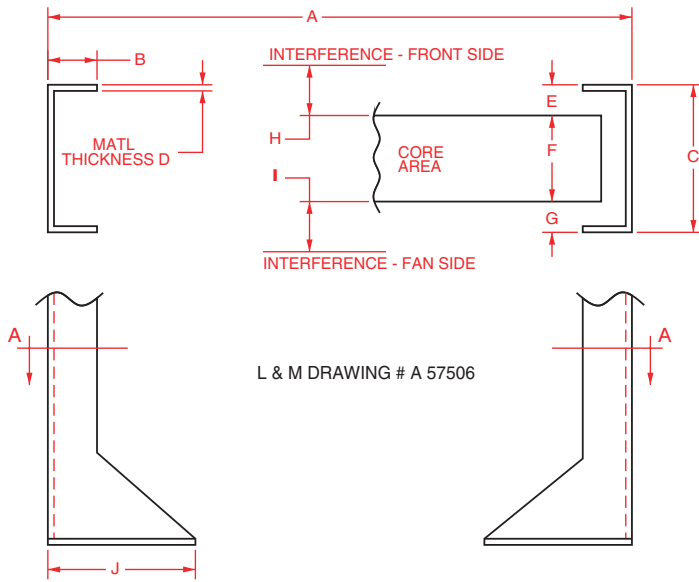
Engine Model

hp @

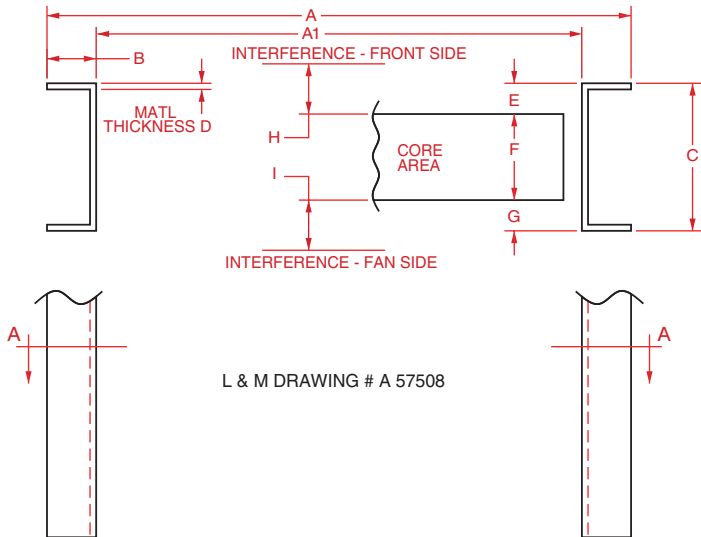
rpm

Mesabi® Side Members

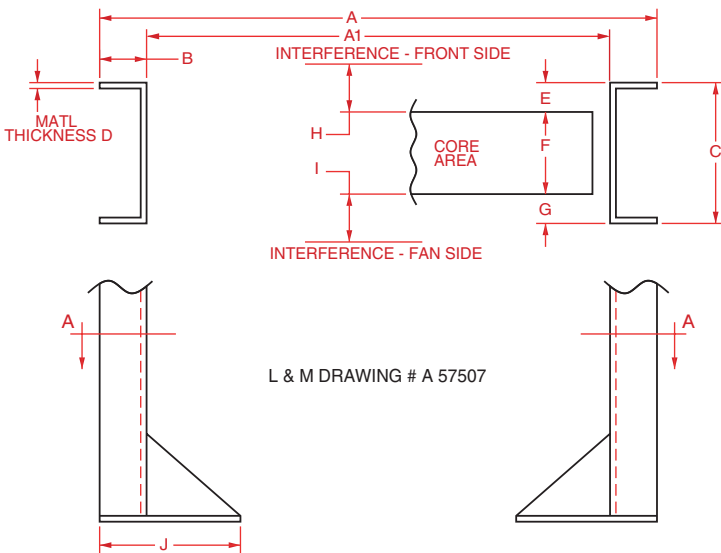
Application Form Page 2 of 2



A _____
 B _____
 C _____
 D _____
 E _____
 F _____
 G _____
 H _____
 I _____
 J _____



A _____
 A1 _____
 B _____
 C _____
 D _____
 E _____
 F _____
 G _____
 H _____
 I _____



A _____
 A1 _____
 B _____
 C _____
 D _____
 E _____
 F _____
 G _____
 H _____
 I _____
 J _____