

Mesabi® Radiator

Application Form Page 1 of 3

Customer

Address line 1

Address line 2

City

State/Prov

Country

ZIP or Postal Code

Contact

Phone

Fax

Email

Date (mm/dd/yy)

Equipment

Equipment Make

Equipment Model

Serial No.

Engine

Engine Make

Engine Model

hp @

rpm

Transmission (if applicable)

Transmission Make

Transmission Model

Watercooled or Aircooled

Fan

Please supply the Fan Make and Part Number

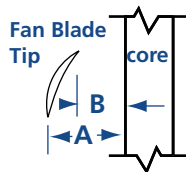
If not available, please supply the following:

Fan diameter

Number of blades

Pitch Width (PW=A-B)

Blower or Suction



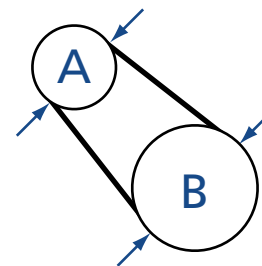
Fan Drive Ratio

Please supply the Fan Drive Ratio

If not available, please supply the following measurements:

Fan pulley diameter (A)

Crank pulley diameter (B)



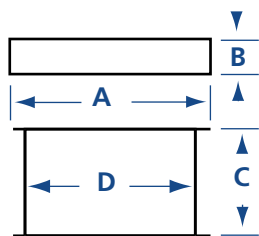
Mesabi® Radiator

Application Form Page 2 of 3

Radiator _____

Please supply the OEM Radiator and/or Core Part Number, if available

Core Dimensions A _____



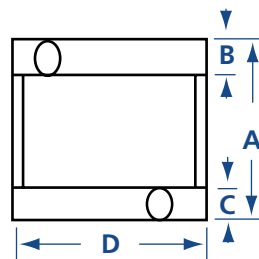
B _____

C _____

D _____

E _____

Overall Dimensions



A _____

B _____

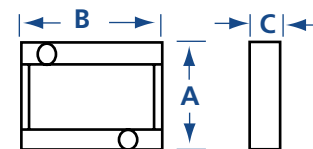
C _____

D _____

Other Coolers in the Airstream _____

Please supply the OEM Radiator and/or Core Part Number if available

Core Dimensions A _____



B _____

C _____

Additional Questions _____

Do you have any particular problems?

- Corrosion
- Clogging
- Sandblasting
- Other, (describe)

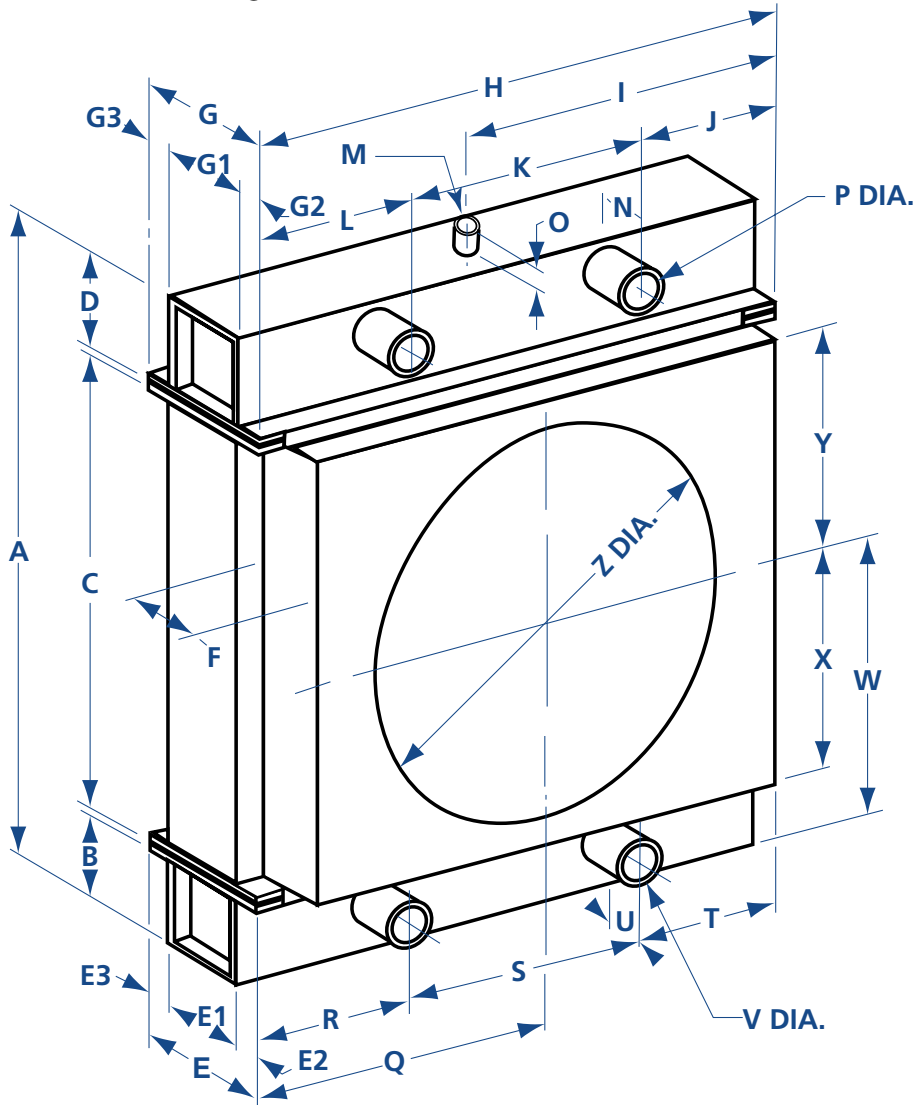
Site Conditions _____

Maximum Elevation _____ ft.

Maximum Outside Temperature _____ °F

Mesabi® Radiator

Application Form Page 3 of 3



A	E3	I	P	W
B	F	J	Q	X
C	G	K	R	Y
D	G1	L	S	Z
E	G2	M	T	Fill In Dimensions
E1	G3	N	U	
E2	H	O	V	

Sketch In Mounting Details