

# Mesabi® Side Members

## Application Form

Page 1 of 2

Customer

Address line 1

Address line 2

City

State/Prov

Country

ZIP or Postal Code

Contact

Phone

Fax

Email

Date (mm/dd/yy)

### Equipment

Equipment Make

Equipment Model

Serial No.

### Engine

Engine Make

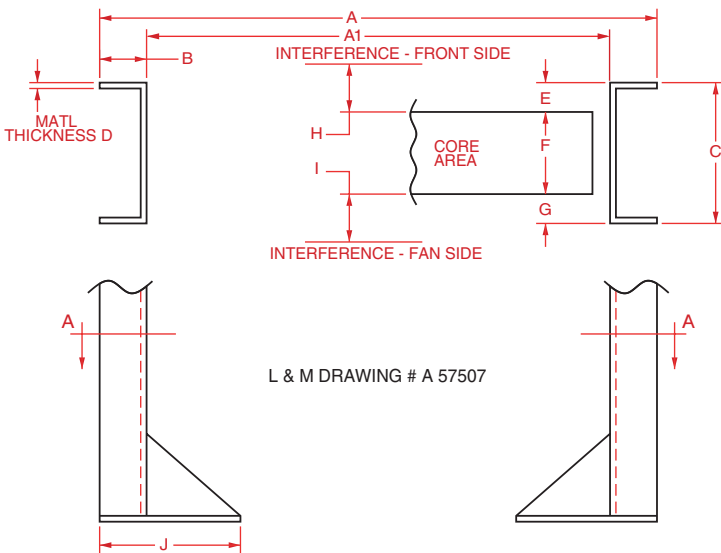
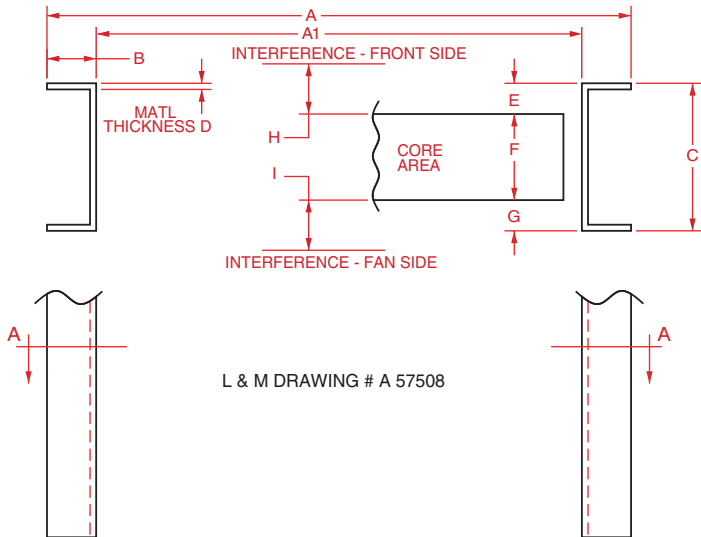
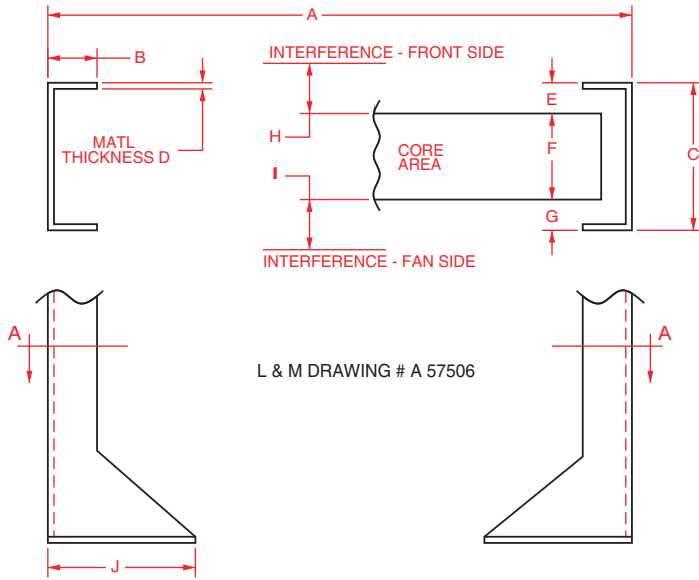
Engine Model

hp @

rpm

# Mesabi® Side Members

Application Form Page 2 of 2



A \_\_\_\_\_  
 B \_\_\_\_\_  
 C \_\_\_\_\_  
 D \_\_\_\_\_  
 E \_\_\_\_\_  
 F \_\_\_\_\_  
 G \_\_\_\_\_  
 H \_\_\_\_\_  
 I \_\_\_\_\_  
 J \_\_\_\_\_  
 A \_\_\_\_\_  
 A1 \_\_\_\_\_  
 B \_\_\_\_\_  
 C \_\_\_\_\_  
 D \_\_\_\_\_  
 E \_\_\_\_\_  
 F \_\_\_\_\_  
 G \_\_\_\_\_  
 H \_\_\_\_\_  
 I \_\_\_\_\_  
 A \_\_\_\_\_  
 A1 \_\_\_\_\_  
 B \_\_\_\_\_  
 C \_\_\_\_\_  
 D \_\_\_\_\_  
 E \_\_\_\_\_  
 F \_\_\_\_\_  
 G \_\_\_\_\_  
 H \_\_\_\_\_  
 I \_\_\_\_\_  
 J \_\_\_\_\_