

Mesabi® Radiator

Application Form Page 1 of 3

Customer

Address line 1

Address line 2

City

State/Prov

Country

ZIP or Postal Code

Contact

Phone

Fax

Email

Date (mm/dd/yy)

Equipment

Equipment Make

Equipment Model

Serial No.

Engine

Engine Make

Engine Model

hp @

rpm

Transmission (if applicable)

Transmission Make

Transmission Model

Watercooled or Aircooled

Fan

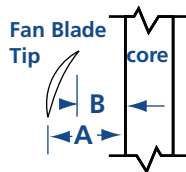
Please supply the Fan Make and Part Number

If not available, please supply the following:

Fan diameter

Number of blades

Pitch Width (PW=A-B)



Blower or Suction

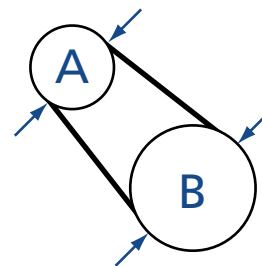
Fan Drive Ratio

Please supply the Fan Drive Ratio

If not available, please supply the following measurements:

Fan pulley diameter (A)

Crank pulley diameter (B)



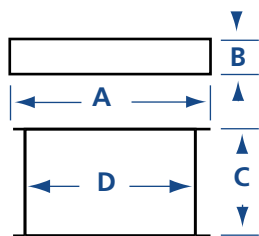
Mesabi® Radiator

Application Form Page 2 of 3

Radiator _____

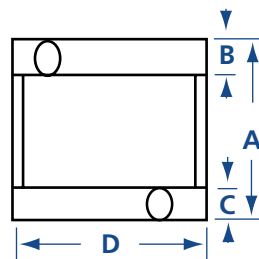
Please supply the OEM Radiator and/or Core Part Number, if available

Core Dimensions A _____



B _____
C _____
D _____
E _____

Overall Dimensions

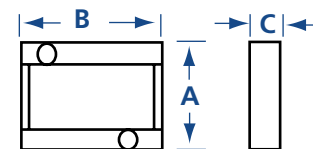


A _____
B _____
C _____
D _____

Other Coolers in the Airstream _____

Please supply the OEM Radiator and/or Core Part Number if available

Core Dimensions A _____



B _____
C _____

Additional Questions _____

Do you have any particular problems?

- Corrosion
- Clogging
- Sandblasting
- Other, (describe)

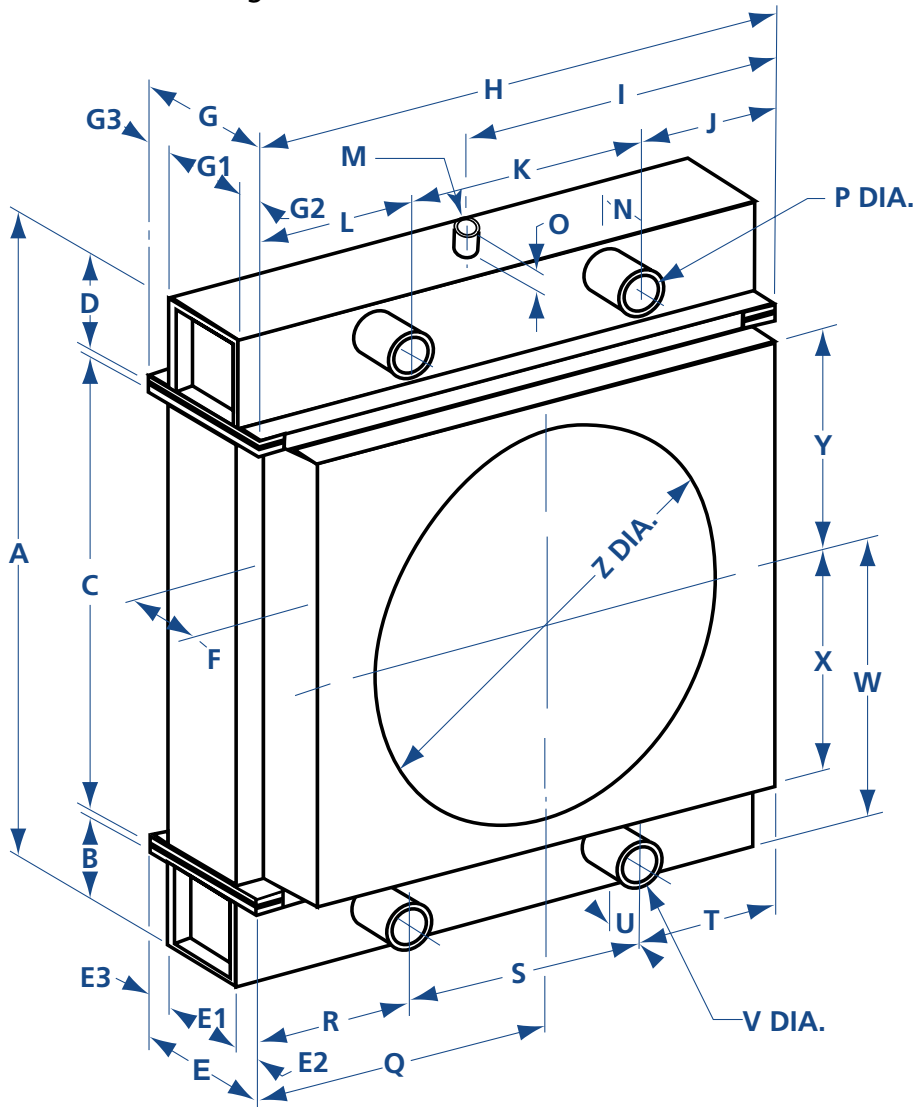
Site Conditions _____

Maximum Elevation _____ ft.

Maximum Outside Temperature _____ °F

Mesabi® Radiator

Application Form Page 3 of 3



A _____	E3 _____	I _____	P _____	W _____
B _____	F _____	J _____	Q _____	X _____
C _____	G _____	K _____	R _____	Y _____
D _____	G1 _____	L _____	S _____	Z _____
E _____	G2 _____	M _____	T _____	Fill In Dimensions
E1 _____	G3 _____	N _____	U _____	
E2 _____	H _____	O _____	V _____	

Sketch In Mounting Details